

Millwork & Storage

Specification Guide



INNOVANT

June 27th, 2011

CONTENTS

Storage Overview	3
Specification Process	5
Custom Equipment Counters	10

STORAGE OVERVIEW

Innovant offers a broad array of millwork storage in a variety of form factors to suit all of your personal and community storage needs. This highly configurable range is manufactured in our Long Island facility ensuring seamless aesthetic and functional integration with our core FORM™ and FORM_office™ furniture lines.

This guide details the many ‘standard’ offerings in our millwork range, including mobile and fixed drawer pedestals as well as multi-pedestal cases, followed by a configurator for our unique custom Equipment Counters. There are many special and custom options available for larger projects that require special or unusual designer driven features or accommodations

All millwork features doweled joinery, five-sided box drawers with replaceable fronts, premium pull details and concealed casters when mobile. Optional tops are available with cast polyurethane nosing, hardwood veneer or applied 3mm vinyl edging.



Return case with box/box/file and cubby/file modules

6 MOBILE PEDESTALS

Mobile laminate pedestals are available in box/box/file or file/file format in three dimensional options with designer pull details.

7 MOBILE PEDESTALS WITH TOP

Mobile laminate pedestals are available with tops at worksurface height to provide a functional extension to the main worksurface. Pedestal tops are available in width and depth to match the body of the unit, or in a shallower 'space-saver' configuration that allows the pedestal to locate slightly under the worksurface.

8 RETURN HEIGHT CASES

Modular laminate return cases provide a functional solution based on a variety of storage options. Cases can be specified with 2 or 3 modules and may be specified mobile or stationery. The multi-pedestal case is finished with a full length worksurface top with a variety of nosing profiles to provide a functional extension to the primary worksurface.

9 LOW RETURN CASES

Modular laminate under-desk (low) return cases provide a unique functional solution based on a variety of storage options. Cases are available with 2 or 3 pedestal modules and can be specified as mobile or stationery. Low return cases are finished with a full length top worksurface and full back panel banded with a 3mm vinyl edge on all sides. Units slide under cantilever arms to facilitate unencumbered reconfigurations.

10 SEAT HEIGHT STORAGE CASES

Seat height storage cases provide guest seating integrated into a low level storage return. Cases are available with 2 or 3 pedestal modules and can be specified as stationery only. Seat height return cases are finished with a full length top worksurface and full back panel banded with a 3mm vinyl edge on all sides. Units slide under cantilever arms to facilitate unencumbered reconfigurations.

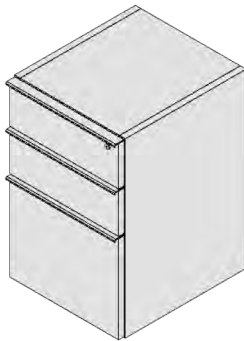
12 MOBILE STEEL PEDESTALS

Economical industry-standard steel drawer pedestals are available in standard configurations with several custom configurations available upon request. All steel pedestals feature full width drawer pulls and standard locks.

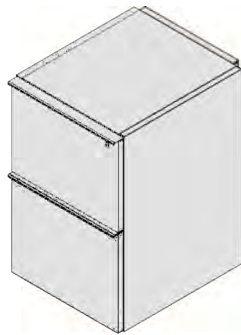
INNOVANT

MOBILE PEDESTALS

FSL	TYPE	SIZE	PULL
Product Code	Type of Pedestal BBF = Box/Box/ File FF = File/File	Nominal Width and Depth (actual) 16 = 16"W x 18"D (15-3/4"W x 18"D) SQ = 19"W x 18"D (18-3/4"W x 18"D) 19 = 19"W x 15"D (18-3/4"W x 15"D)	Pull Handle Style T = Tab Pull F = Full Pull



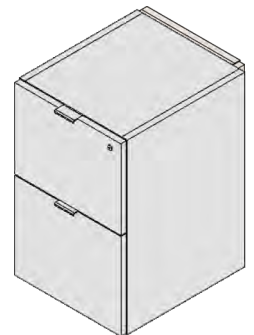
FSL-BBF19-F



FSL-FF19-F



FSL-BBF19-T



FSL-FF19-T

APPLICATION NOTES

- Pedestal sizes are nominal; actual sizes are shown in parenthesis
- Drawer pedestal features full extension file drawer and single lock
- Locking option not available with full pull option
- Drawer opening is always on the 'width' side of the pedestal

RETURN HEIGHT PEDESTALS WITH TOP

FSLT

Product Code

TYPE	SIZE	TOP	NOSING	PULL
Type of Pedestal BBF = Box/Box/ File FF = File/File	Nominal Width and Depth (actual) 16 = 16"W x 18"D (15-3/4"W x 18"D) SQ = 19"W x 18"D (18-3/4"W x 18"D) 19 = 19"W x 15"D	Worktop Style S = Spacesaver T = Full Top	Worktop Nosing Q = Square Edge W = Waterfall Edge	Pull Handle Style T = Tab Pull F = Full Pull



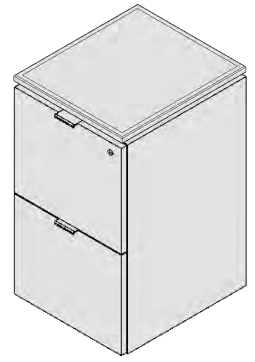
FSLT-BBF16-S-Q-T



FSLT-FF16-S-Q-T



FSL-BBF16-T-Q-T



FSL-FF16-T-Q-T

APPLICATION NOTES

- Pedestal sizes are nominal; actual sizes are shown in parenthesis
- Spacesaver tops are only compatible with 33 and 36" deep worksurfaces- Do not specify with 30"D.
- Drawer pedestal features full extension file drawer and single lock
- Drawer opening is always on the 'width' side of the pedestal
- Top is set at worksurface height and serves as a functional extension of the surface
- Space saver top is 12"D for both 16"W and 19"W pedestals
- Full top is full depth for both 16"W and 19"W pedestals
- Specify Square (Q) Edge as a compliment to Knife Edge worksurfaces

RETURN HEIGHT STORAGE CASE

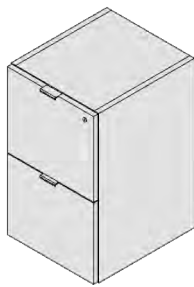
FSL-RTN

Product Code

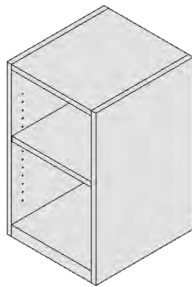
NUMBER	TYPE	ORIENT	NOSING	PULL
Number of Modules	Module Types Required	Top Style	Top Nosing	Pull Handle Style
2 = 2 Modules (32"W x 18"D) 3 = 3 Modules (48"W x 18"D)	A = Fixed Box/Box/File Drawer Pedestal B = Fixed File/File Drawer Pedestal C = Fixed Bookcase D = Lateral File E = Mobile Box/Box/File Drawer Pedestal F = Mobile File/File Drawer Pedestal G = Mobile Bookcase	L = Left R = Right	Q = Square Edge W = Waterfall Edge K = Knife Edge	T = Tab Pull F = Full Pull



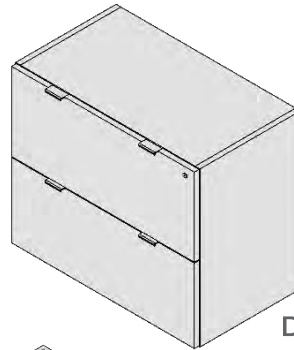
A/E



B/F



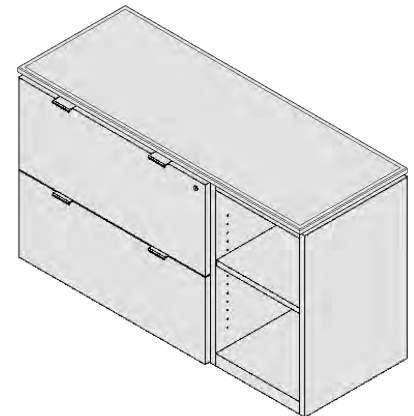
C/G



D



FSL-RTN2-AC-LQT



FSL-RTN3-DC-LQT

APPLICATION NOTES

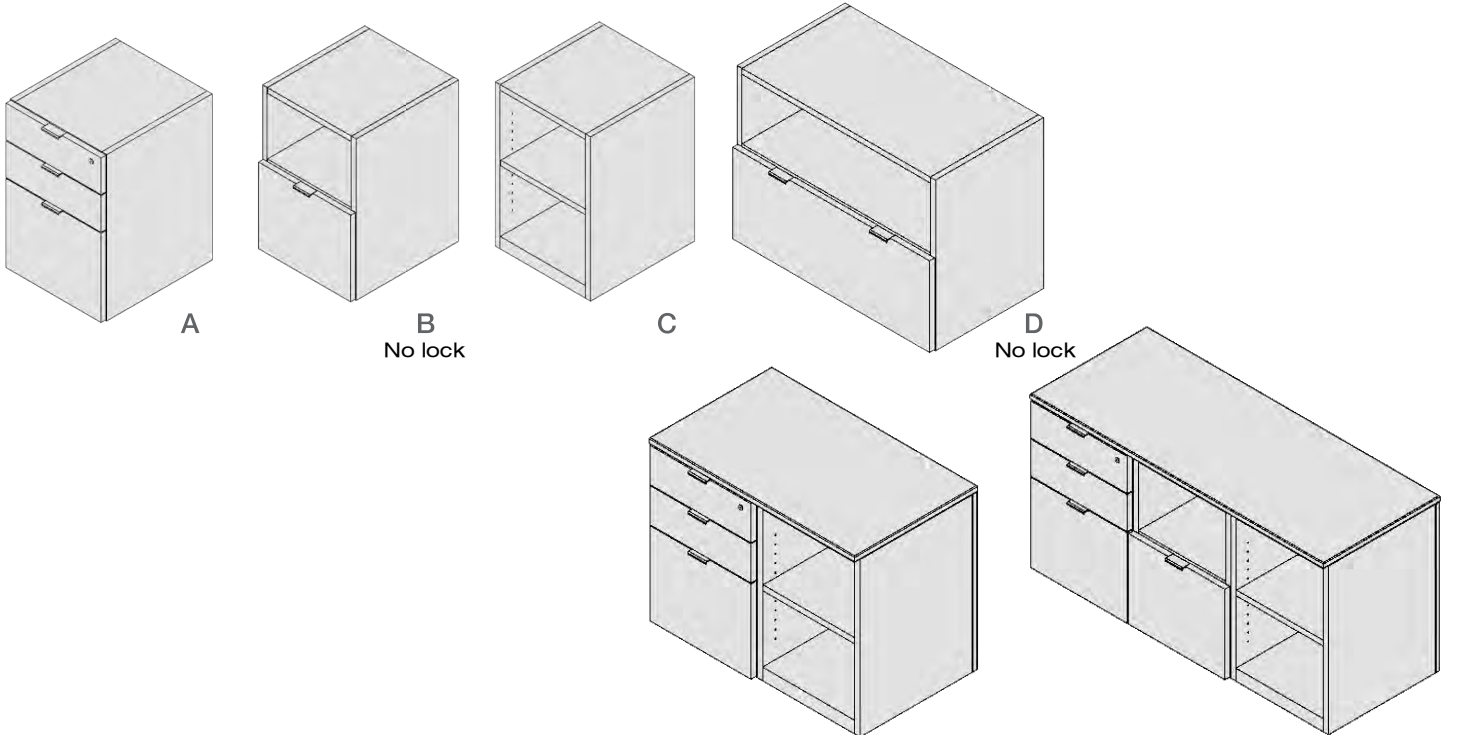
- “Type” field must contain the proper number of selections to fill out the given case size (for example, XX= 2 position; XXX=3 position)
- Drawer pedestals and lateral files feature full extension file drawers and single lock per unit
- Modular return case top is set at worksurface height and serves as a functional extension to the surface
- Modular return case is perpendicular to the primary worksurface and all modules are orientated towards the user
- Calculate complete configurations by selecting the appropriate top, then the modular components to fully populate the spacing
- Lateral file modules are not mobile and may not be combined with mobile modules. Lateral file units counts as 2 ‘positions’
- Only specify like modules together (mobile with mobile, fixed with fixed)

LOW HEIGHT STORAGE CASE

FSL-LOW

Product Code

NUMBER	TYPE	ORIENT	NOSING	PULL
Number of Modules 2 = 2 Modules (32"W x 18"D) 3 = 3 Modules (48"W x 18"D)	Module Types Required A = Mobile Box/Box/File Drawer Pedestal B = Mobile Cubby/File Drawer Pedestal C = Mobile Bookcase D = Mobile Cubby/Lateral File	Top Style L = Left R = Right	Top Nosing 3 = 3mm vinyl edge	Pull Handle Style T = Tab Pull F = Full Pull



FSL-LOW2-AC-L3T

FSL-LOW3-ABC-L3T

APPLICATION NOTES

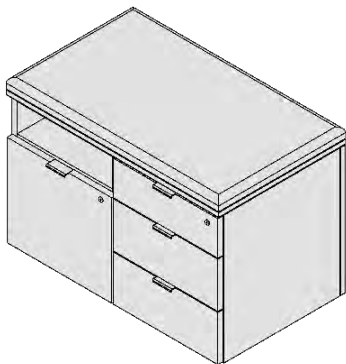
- “Type” field must contain the proper number of selections to fill out the given case size (for example, XX= 2 position; XXX= 3position)
- Drawer pedestals feature full extension file drawers and single lock per unit, except as noted
- Modular return case top fits under worksurface cantilever height to facilitate off-module planning
- Modular return case is typically perpendicular to the primary worksurface and all modules are orientated towards the user. The return case may be placed partially or fully under the worksurface to conserve aisle space
- Calculate complete configurations by selecting the appropriate top, then the modular components to fully populate the spacing
- Lateral file modules are not mobile and may not be combined with mobile modules. Only specify like modules together (mobile with mobile, fixed with fixed). Lateral file units counts as 2 ‘positions’
- Low height storage case has a full back panel recessed under the top

SEAT HEIGHT STORAGE CASE

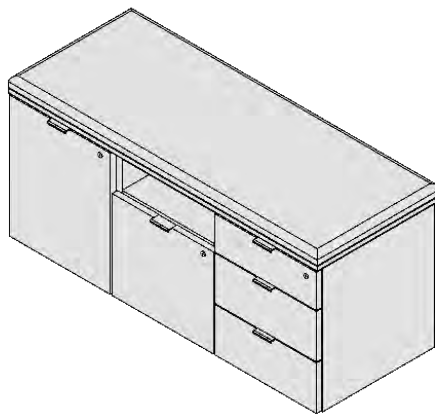
FSL-SEAT

Product Code

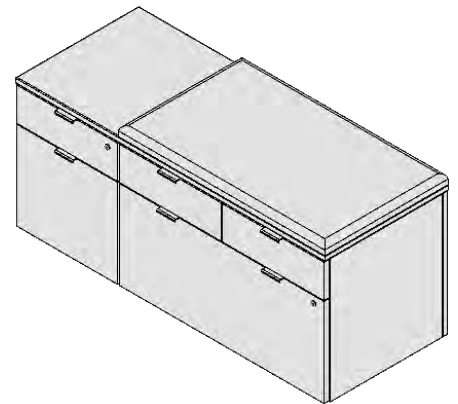
NUMBER	TYPE	ORIENT	NOSING	PULL	CUSHION
Number of Modules 2 = 2 Modules (32"W x 18"D) 2 = 2 Modules (32"W x 18"D) 3 = 3 Modules (48"W x 18"D)	Module Types Required X = Module 1 X = Module 2 X = Module 3	Top Style L = Left R = Right	Top Nosing 3 = 3mm Vinyl Edge	Pull Handle Style T = Tab Pull F = Full Pull	Seat Cushion Size 0 = No Cushion 1 = One Position Cushion 2 = Two Position Cushion 3 = Three Position Cushion



FSL-SEAT2-CB-R3T2



FSL-SEAT3-DCB-R3T3



FSL-SEAT3-AN-R3T2

APPLICATION NOTES

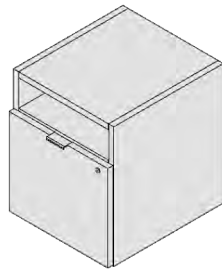
- "Type" field must contain the proper number of selections to fill out the given case size (for example, XX= 2 position; XXX= 3position)
- M,N,O,P & R units are 2 positions wide, so these letters represent 2 position selections in the item number nomenclature
- Calculate complete configurations by selecting the appropriate top, then the prescribed number of modular components to fully populate the spacing
- All seat height returns feature a single top over a single back common back panel
- All seat height returns are fixed (non-mobile)
- Upper drawers are non-locking in 2-position units (M,N,O,P,R)



A
Box / File



B
Box/Box/Box



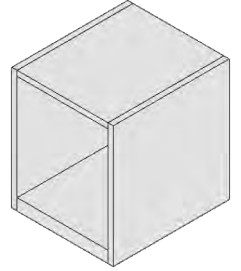
C
Cubby / Storage



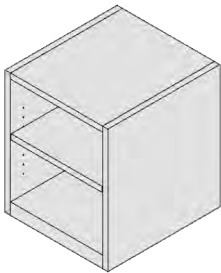
D
Storage



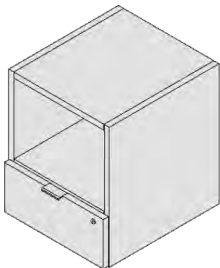
E
Cubby/File



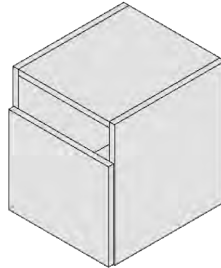
F
Open



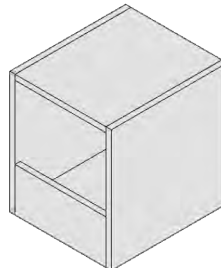
G
Bookcase



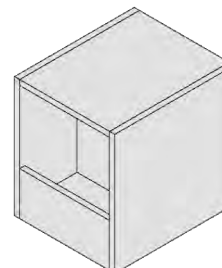
H
Cubby/Box



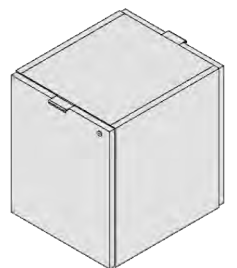
J
Partial Door



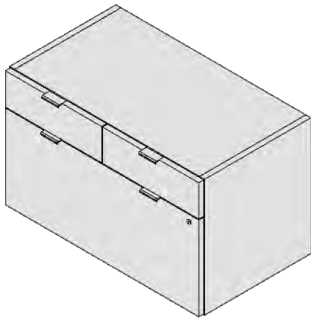
K
Open w/ Ledge



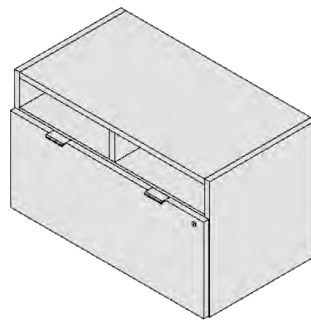
L
Double Ledge



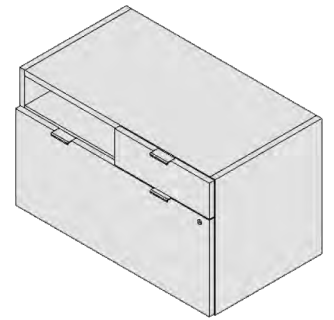
M
Dbl Storage



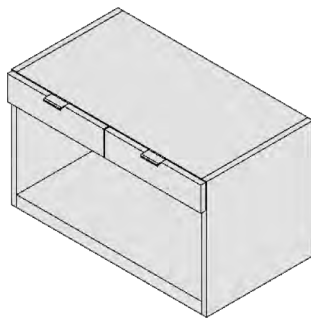
N
Box/Box/Lateral



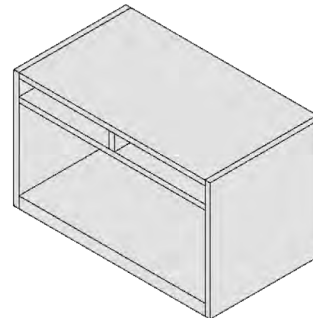
P
Cubby/Cubby/Lateral



R
Cubby/Box/Lateral



S
Box/Box/Open



T
Cubby/Cubby/Open

STEEL PEDESTALS

FSS	TYPE	COLOR
Product Code	Type of Pedestal BBF = Box/Box/ File PBF = Pencil/ Box/File FF = File/File	Pedestal Color C = Charcoal H = Champagne K = Arctic White M = Black P = Pewter U = Umber V = Silver

APPLICATION NOTES

- F/F and B/B/F steel pedestals do not fit under Innovant cantilever arms
- Drawer pedestal features full extension file drawer and single lock
- File rails included
- Pencil tray included in uppermost 3" or 6" drawer

STEEL PEDESTALS W/ SEAT CUSHION

FSS	TYPE	COLOR	CUSHION
Product Code	Type of Pedestal	Pedestal Color	Cushion Color
	BF = Box/File	C = Charcoal H = Champagne K = Arctic White M = Black P = Pewter U = Umber V = Silver	333 = CF_NH333 Black 395 = CF_NH395 Grey 361 = CF_NH361 Nickel 420 = CF_NH420 Jodhpurs 415 = CF_NH415 Golden 416 = CF_NH416 Ember Glow 406 = CF_NH406 Fire 422 = CF_NH422 Napa 419 = CF_NH419 Aubergine 366 = CF_NH366 Steel 369 = CF_NH369 Navy 423 = CF_NH423 Lake

APPLICATION NOTES

- Drawer pedestal features full extension file drawer and single lock
- File rails included
- Pencil tray included in uppermost 6" drawer
- COM fabrics require sample approval and possible upcharge



Australia

Unit 1, 63 Norman Street
Peakhurst, NSW 2210
Tel: 612 9584 2320
Fax: 612 9584 2325

New York

37 West 20th Street
New York, NY 10011
Tel: 212 929 4883
Fax: 212 929 5174

Hong Kong

9/F Chung Nam Building
No.1 Lockhart Road
Wanchai, Hong Kong
Tel: 852 2520 2839
asia@innovant.com

Chicago

440 North Wells, Suite 310
Chicago IL 60654
Tel: 646 368 6254
Fax: 212 929 5174

Singapore

400 Orchard Road
Orchard Towers #24-08
Singapore 238875
Tel: 65 6535 3886

Houston

7026 Old Katy Rd
Houston, TX 77024
Tel: 212 929 4883
Fax: 212 929 5174
info@innovant.com

United Kingdom

Tel: 44 207 788 9051
emea@innovant.com